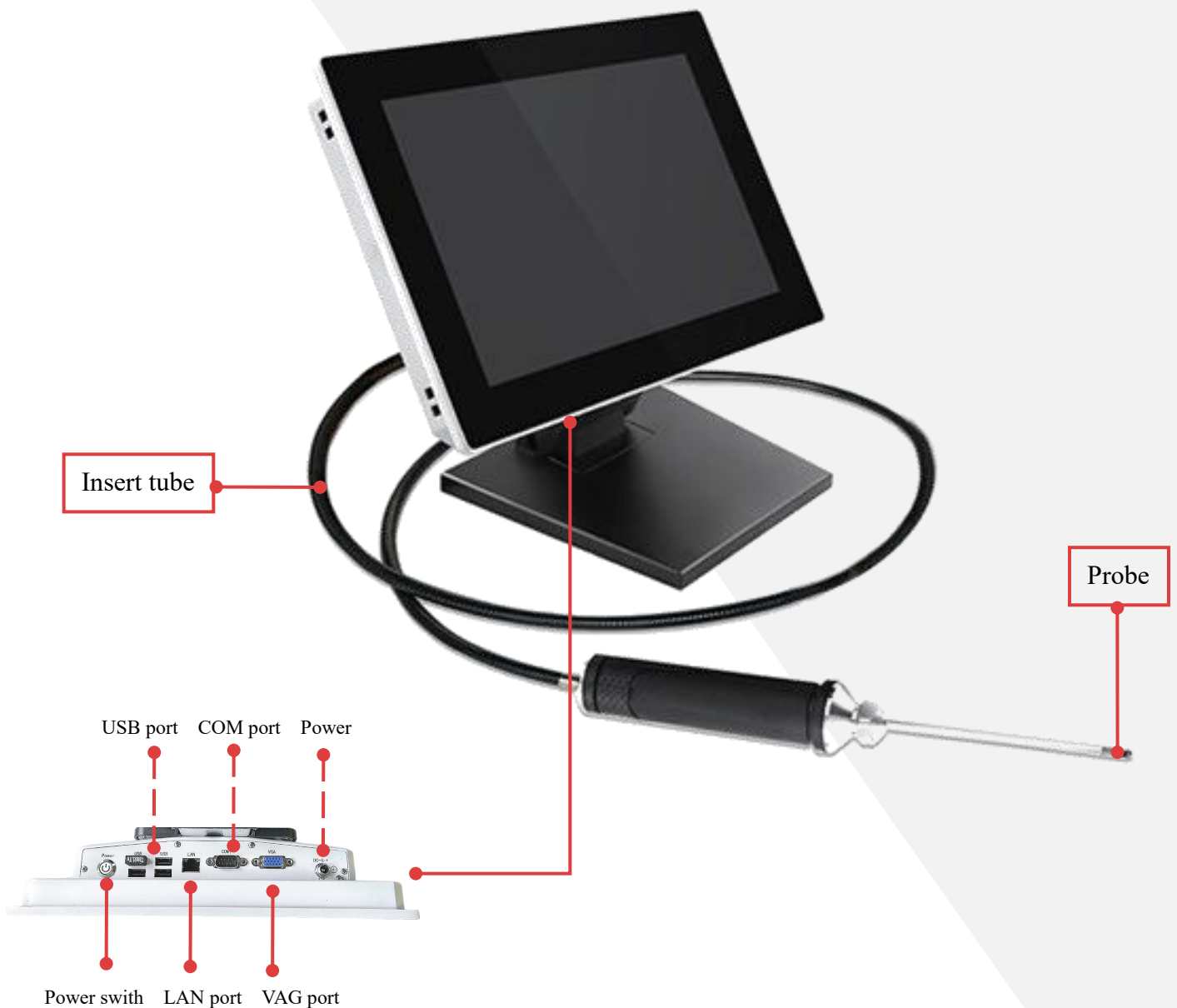


VS-FY series portable industrial endoscope

15.6 inch optional

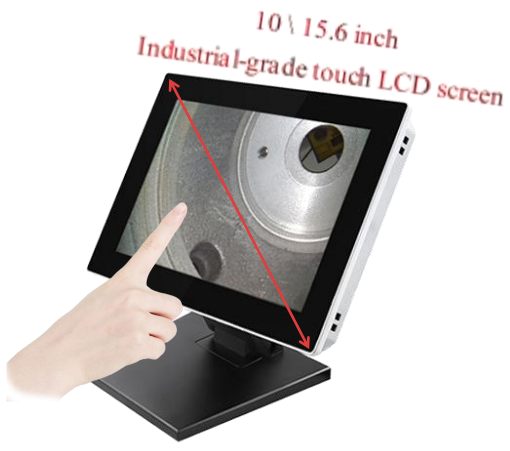


Professional endoscope solution provider

To be as you wish

More efficient detection

VS-FY series of online video industrial endoscopes, inserted into the front end of a hard alloy tube, mainly used in automotive manufacturing, aerospace, precision casting and other fields of visual inspection scenes.



10/15.6inch large screen, more intuitive viewing

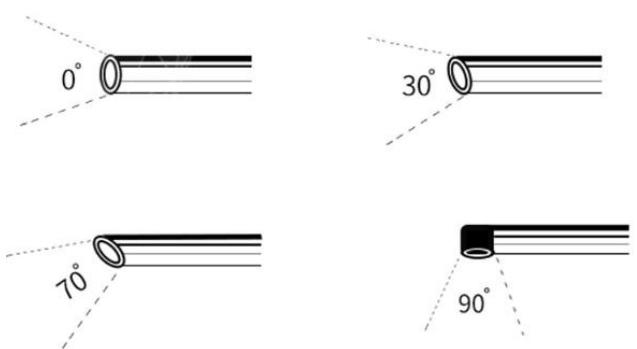
Multiple ways to choose Wall Mounted Host Adjustable angle, can be flipped at will



Desktop/wall mounted



Quick replacement of all kinds of pipe diameter



Multiple angles are optional



Alloy hard rod, wear-resistant



It can be measured by comparison method

	Display	10'' \ 15.6'' Industrial control touch LCD screen
	Output port	VAG output, USB output
	Storage	32G U disk, Maximum extensibility 1T
	Power battery	Connect to power supply
	Working temperature	-20°C~70°C, Low temperature without preheating (Customized-40°C~85°C)
	Storage temperature	-20°C~70°C
	Relative humidity	Max 95%, No condensation
System	OS	Windows OS
	File format	Image JPEG (JPG), video MP4
	FM	Support file and folder creation, Chinese and English rename, move, delete, save in USB flash drive and copy
	Picture processing	Photo, video, negative, flip, zoom, freeze, online editing, doodle, postmark
	Language	Chinese (basic), French, English, German, Spanish, Italian, Japanese
Package	Weight	
	Dimension	

Camera and Probe

The VS-FY line is available in a variety of lengths and diameters
You can select and replace pipelines according to the actual detection situation

Model		VS-FY									
		VS-FY60	VS-FY45	VS-FY39	VS-FY28	VS-FY24	VS-FY20	VS-FY18	VS-FY12	VS-FY10	VS-FY09 5
Lens	Direction	Direct view/Side view/Double view				Direct view/Side view			Direct view		
	FOV(θ)	120°									
	DOF	12mm~200mm	8mm~150mm		3mm~70mm 5~100mm		3mm~70mm	3mm~50mm	3mm~30mm		
	Pixels	1.0MP			160,000						
	Illumination type	Rear high power LED fiber conduction									
Probe	Angle(α)	0°/30°/70°/90°									
	Dia.(D)	6mm	4.5mm	3.9mm	2.8mm	2.4mm	2.0mm	1.8mm	1.2mm	1.0mm	0.95mm
	IP Grade	IP67									
	Working Temperature	-20°C~70°C									
Insert Tube	Length	Custom length									
	Material	Alloy									

Annotation

	VS-FY (Front view)	VS-FYC (Side view)	WS-FS (Dual view)
Lens direction			
FOV(θ)			
DOF			
Probe Dia.(D)			
Angle(α)			

Packing list

S/N	Name	Qty	Unit	Remark
1	Display host	1	Set	
2	Insert tube	1	pcs	
3	U disk	1	pcs	
4	Rugged tool case	1	pcs	
5	Adapter	1	pcs	
6	Warranty card	1	pcs	
7	User manual	1	pcs	
8	Qualification	1	pcs	